



Hotel Wynn Macau

5-star hotel in China

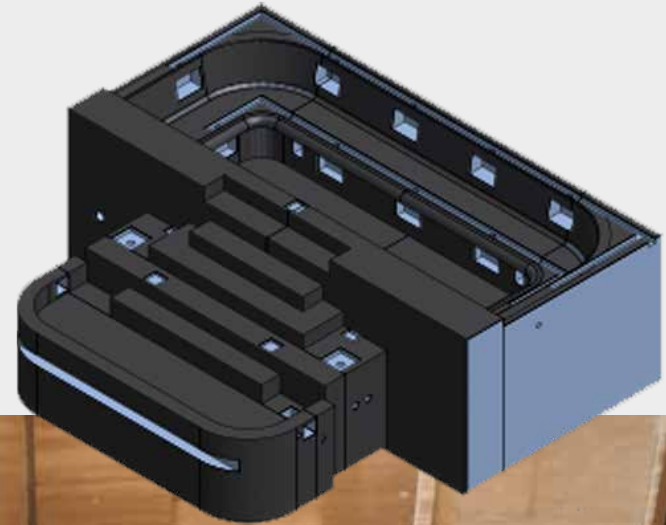
Reference
New build

City
Macau

Year
2018

Project type

Custom design for 2 pool areas. Connect together with staircase onto which special banisters later had to be installed.



Requirements

Prefabricated modules with integrated technology which could only be connected on the construction site for time and safety reasons.

Brief description

The hotel describes itself as “A refined design in a luxurious size – with the poise and vibrancy you’re looking for.”



Products used

Basic products

-

Products used

Individual products

- Pool construction with integrated technology

- Staircase with integrated mounting points for heavy banisters

Products used

Plug & play systems

-

